

CHAPTER 4 SPARE PARTS LISTS

一、Parts list of self-priming pump

1. parts list of 2 inch self-priming pump

| No. | Code name | Description | Qty |
|-----|-----------|----------------------------|-----|
| 1 | P5002101 | pump housing | 1 |
| 2 | P5002102 | cover | 1 |
| 3 | P5002103 | discharge flange | 1 |
| 4 | P5002104 | inlet valve | 1 |
| 5 | P5002105 | nut,connector | 2 |
| 6 | P5002106 | propeller | 1 |
| 7 | P5002107 | volute casing | 1 |
| 8 | P5002108 | pipe connertor | 2 |
| 9 | P5002302 | filter connector | 1 |
| 10 | P5002303 | filter | 1 |
| 11 | P5002304 | priming cap | 2 |
| 12 | P5002401 | check | 1 |
| 13 | P5002402 | gasket,discharge flange | 1 |
| 14 | P5002403 | gasket,inlet/outlet | 2 |
| 15 | P5002404 | O-ring218×3.55,cover | 1 |
| 16 | P5002405 | O-ring49×5.3,volute casing | 1 |
| 17 | P5002406 | O-ring,priming cap | 2 |
| 18 | P5002407 | bolt gasket,inlet valve | 4 |
| 19 | P5002510 | mechanical seal | 1 |
| 20 | P5002520 | rotating seal | 1 |
| 21 | P5002600 | clip | 3 |
| 22 | LMB06 | nut M6,flange | 4 |
| 23 | LSB06025 | blot M6×20,flange | 4 |
| 24 | LSB08025 | blot M8×25,flange | 3 |
| 25 | LSB08025 | blot M8×25,flange | 4 |
| 26 | LSB08025 | blot M8×25,flange | 4 |
| 27 | LSB08025 | blot M8×25,flange | 4 |
| 28 | LME06 | coronary nut M6 | 3 |
| 29 | LZA06038 | double-ended stud AM6×38 | 2 |
| 30 | LZA06050 | double-ended stud AM6×50 | 1 |

2. parts list of 3 inch self-priming pump

| No. | Code name | Description | Qty |
|-----|-----------|--------------------------|-----|
| 1 | P8002101 | pump housing | 1 |
| 2 | P8002102 | cover | 1 |
| 3 | P8002103 | discharge flange | 1 |
| 4 | P8002104 | inlet valve | 1 |
| 5 | P8002105 | nut,connector | 2 |
| 6 | P8002106 | Propeller | 1 |
| 7 | P8002107 | volute casing | 1 |
| 8 | P8002108 | pipe connertor | 2 |
| 9 | P8002302 | filter connector | 1 |
| 10 | P8002303 | filter | 1 |
| 11 | P8002304 | priming cap | 2 |
| 12 | P8002401 | check | 1 |
| 13 | P8002402 | gasket,discharge flange | 1 |
| 14 | P8002403 | gasket,inlet/outlet | 2 |
| 15 | P8002404 | O-ring , cover | 1 |
| 16 | P8002405 | O-ring ,volute casing | 1 |
| 17 | P8002406 | O-ring ,priming cap | 2 |
| 18 | P8002407 | bolt gasket,inlet valve | 4 |
| 19 | P8002510 | mechanicalseal | 1 |
| 20 | P8002520 | rotating seal | 1 |
| 21 | P8002600 | clip | 3 |
| 22 | LMB06 | nut M8,flange | 4 |
| 23 | LSB06025 | blot M8×30,flange | 4 |
| 24 | LSB08025 | blot M10×30,flange | 4 |
| 25 | LSB08025 | blot M10×30,flange | 4 |
| 26 | LSB08025 | blot M8×25,flange | 4 |
| 27 | LSB08025 | blot M8×25 ,flange | 4 |
| 28 | LME06 | coronary nut M6 | 3 |
| 29 | LZA06050 | double-ended stud AM6×50 | 3 |

3. parts list of 4 inch self-priming pump

| No. | Code name | Description | Qty |
|-----|-----------|-------------------------|-----|
| 1 | P10002101 | pump housing | 1 |
| 2 | P10002102 | cover | 1 |
| 3 | P10002103 | discharge flange | 1 |
| 4 | P10002104 | inlet valve | 1 |
| 5 | P10002105 | nut,connector | 2 |
| 6 | P10002106 | propeller | 1 |
| 7 | P10002107 | volute casing | 1 |
| 8 | P10002108 | pipe connertor | 2 |
| 9 | P10002302 | filter connector | 1 |
| 10 | P10002303 | filter | 1 |
| 11 | P10002304 | priming cap | 2 |
| 12 | P10002401 | check | 1 |
| 13 | P10002402 | gasket,discharge flange | 1 |
| 14 | P10002403 | gasket,inlet/outlet | 2 |
| 15 | P10002404 | O-ring,cover | 1 |
| 16 | P10002405 | O-ring,volute casing | 1 |
| 17 | P10002406 | O-ring,priming cap | 2 |
| 18 | P5002407 | bolt gasket,inlet valve | 4 |
| 19 | P10002510 | mechanicalseal | 1 |
| 20 | P10002520 | rotating seal | 1 |
| 21 | P10002600 | clip | 3 |
| 24 | LSB10030 | blot M10x30,flange | 3 |
| 25 | LSB10030 | blot M10x30,flange | 4 |
| 26 | LSB10030 | blot M10x30,flange | 4 |
| 27 | LSB08025 | blot M8x45,flange | 4 |

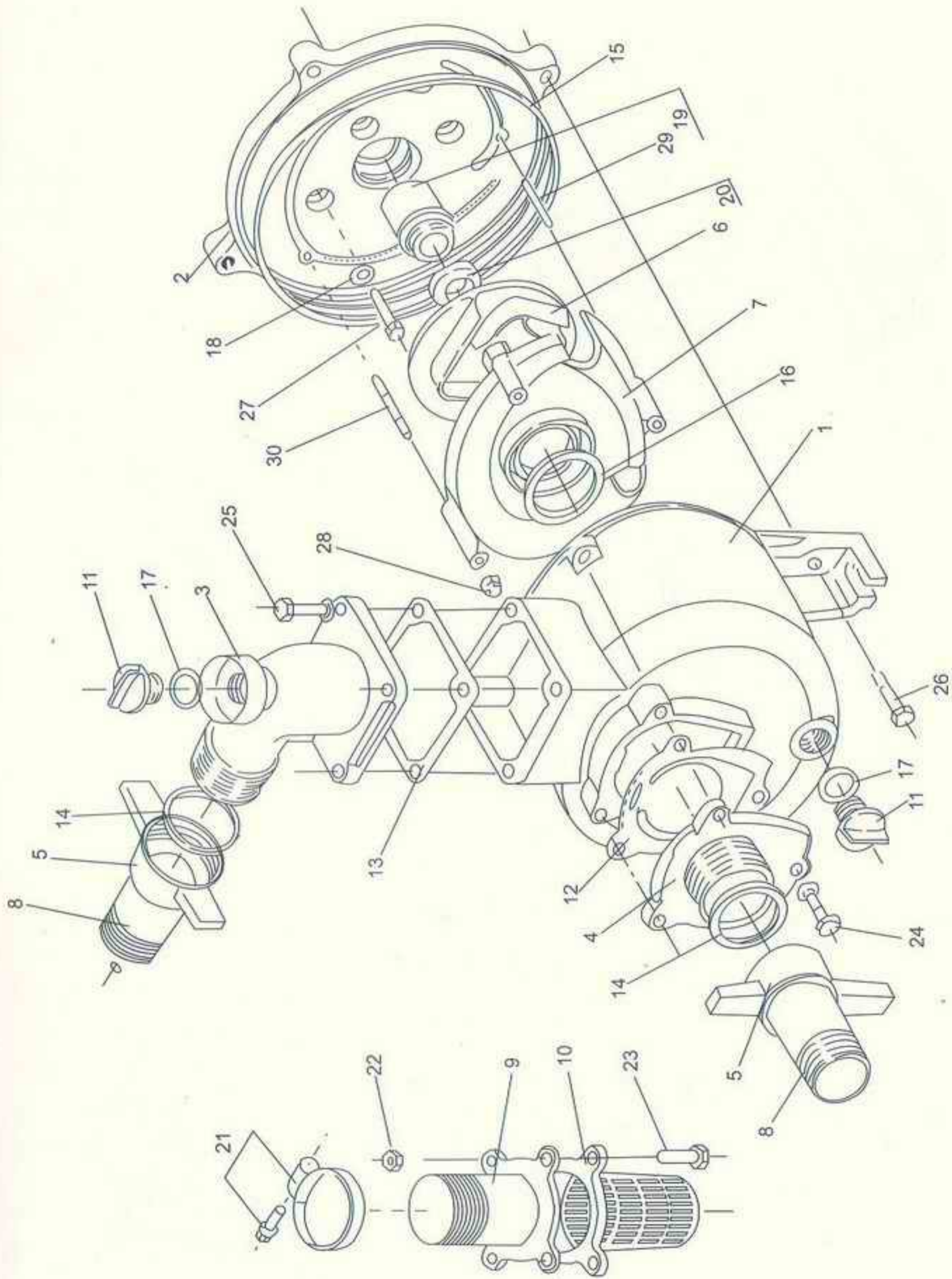


Fig 5 self-priming installing assem